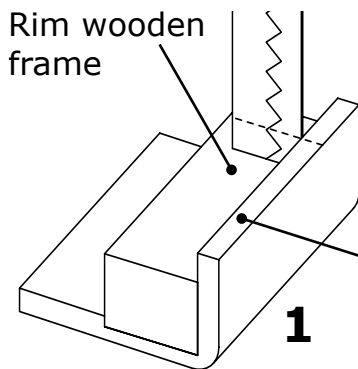
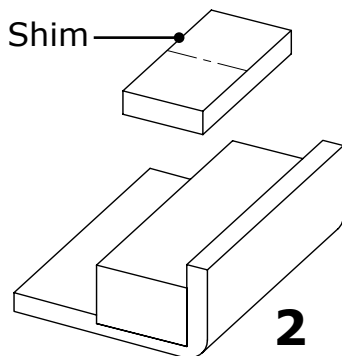


'Mono' & 'Luxury Front' bath panels - instructions for "Retro" fitting panel clips

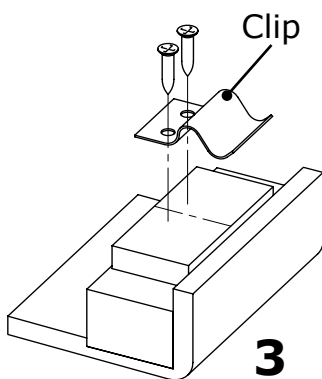


IMPORTANT: The new 'Mono' & 'Luxury Front' (545mm) bath panels are higher than the existing 'Universal' (525mm) panel. This may require the adjustment of the bath's installation height to enable a new panel to fit.

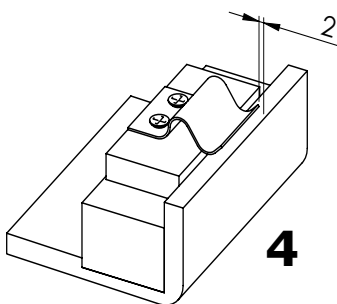
1/ Measure the average vertical distance between the bath rim edge & the reinforcing wooden rim frame.



2/ Using the distance identified in step 1/ cut wooden 'shims' to bridge distance between the frame & the rim edge. The best results are achieved by using 4 clips on the 'long' side & 2 clips on the 'short' end of the bath. Using a structural adhesive (No More Nails, Gripfix or equivalent) glue the wooden shims to the frame.



3/ As shown in the diagram screw the clip onto the wooden shim with the screws supplied. Ensure the clip edge is set back by 2mm from the outer rim edge (see dimension on diagram 4).



4/ Fully installed 'Mono' panel clip.

 **ADAMSEZ®**

766 Upper Newtownards Road
Dundonald BT16 1TQ
United Kingdom
T 028 9048 0465
F 028 9048 0485
E info@adamsez.com
www.adamsez.com