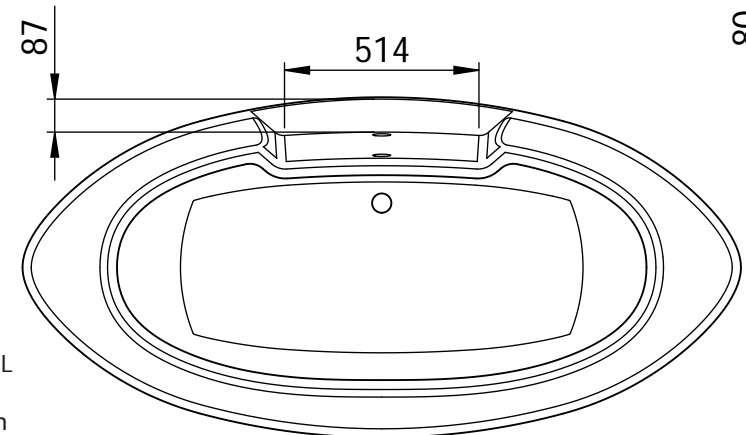
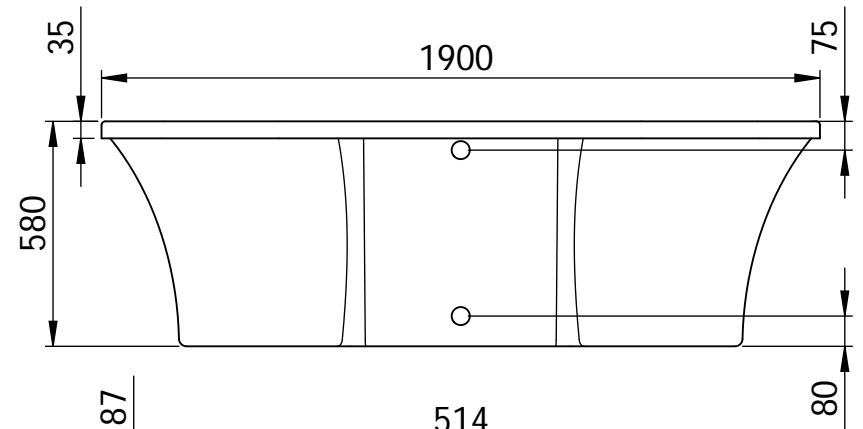
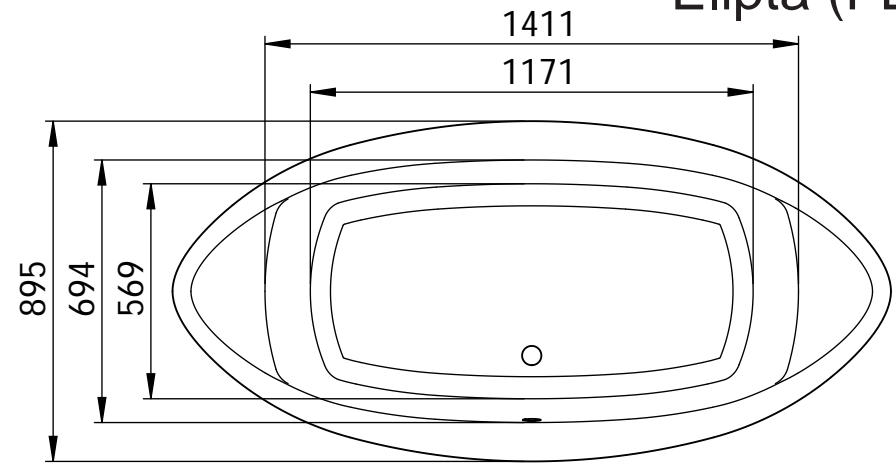




All dimensions are mm and approximate
 © 2010 Adamsez (NI) Limited

Elipta (FEL)



Estimated volume 220L
 Waste hole Ø 51mm
 Overflow hole Ø 48mm
 Manufacturing Tolerance
 <1m ±5mm
 >1m +5mm -10mm
 Inset installations use bath as template

t: +44 (0) 28 9048 0465
 f: +44 (0) 28 9048 0485
 e: info@adamsez.com
 w: www.adamsez.com