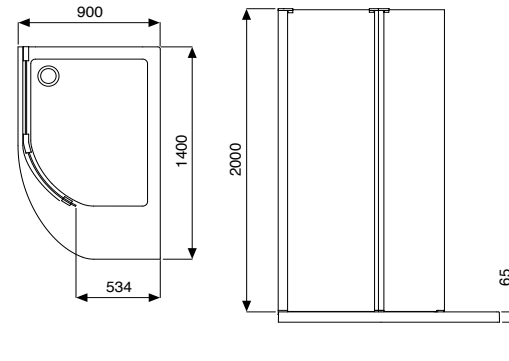


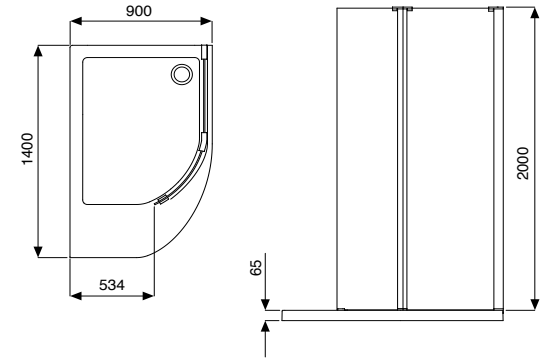
Walk-in & Extended Walk-in (E40, E41, E70)



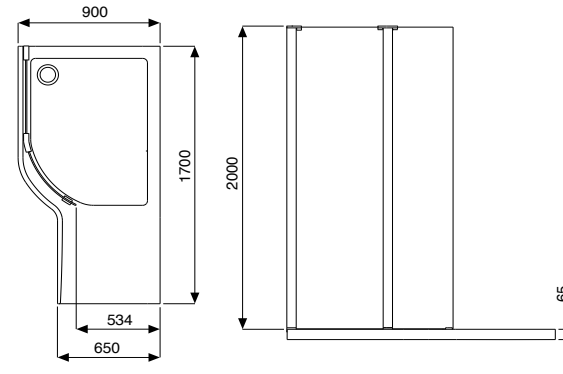
Walk-in LH



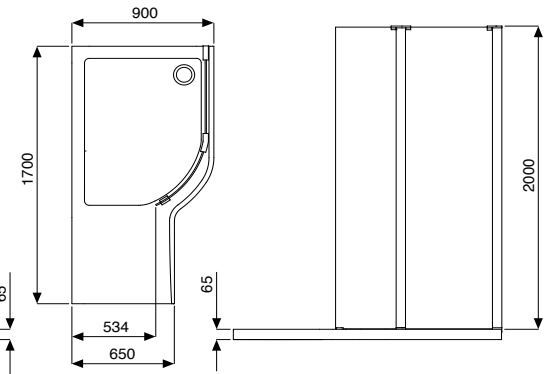
Walk-in RH



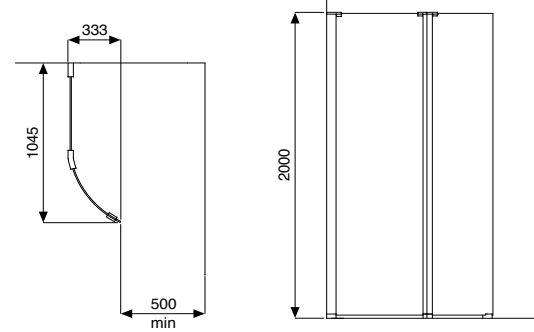
Extended Walk-in LH



Extended Walk-in RH



Walk-in wet room LH



Walk-in wet room RH

