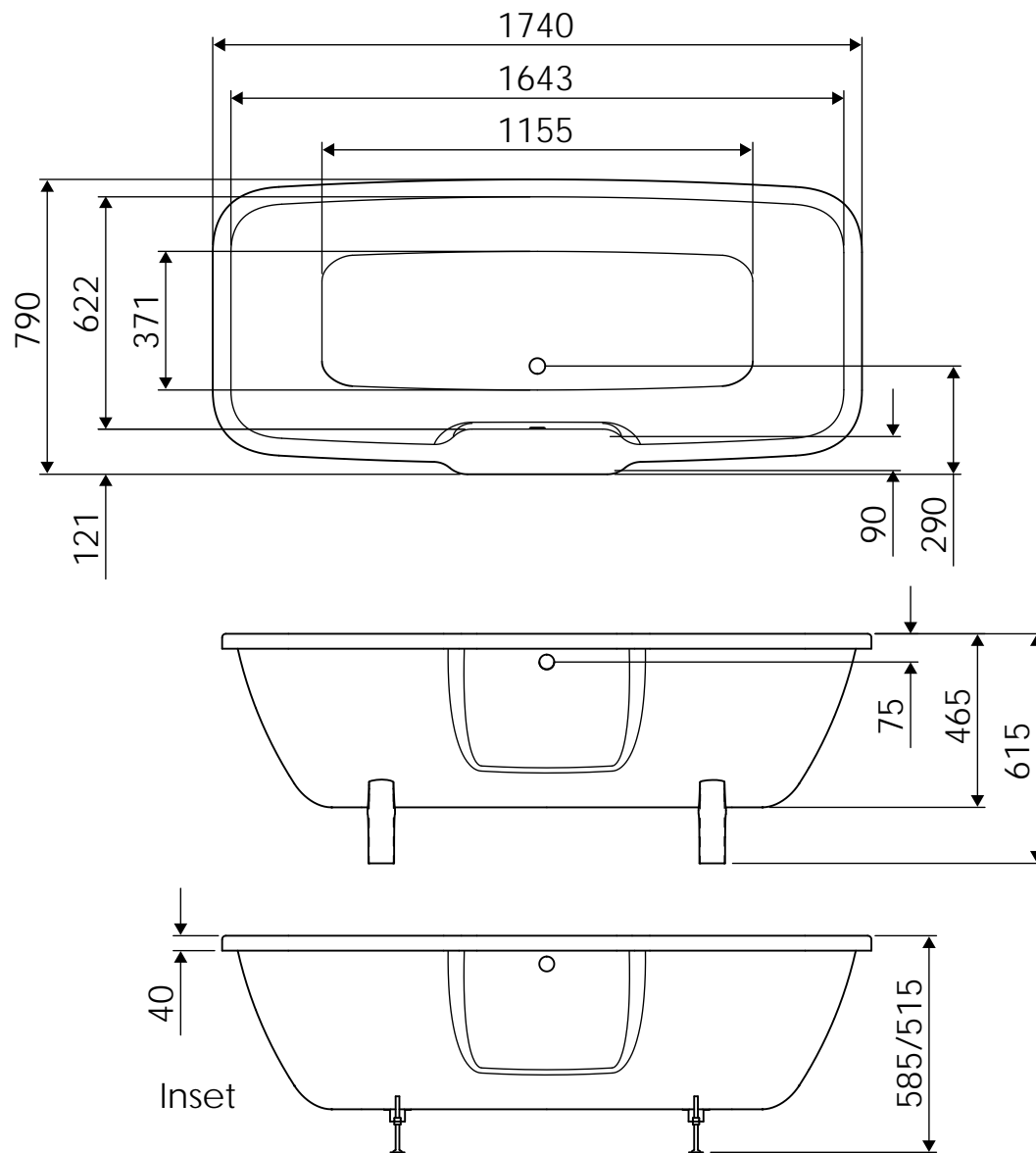




All dimension approximate  
© 2009 Adamsez (NI) Limited

## Urbana with ledge (FUW)



Estimated volume 191L  
Manufacturing Tolerance  
<1m ±5mm  
>1m +5mm -10mm  
Inset installations use bath as template

t: +44 (0) 28 9048 0465  
f: +44 (0) 28 9048 0485  
e: info@adamsez.com  
w: www.adamsez.com