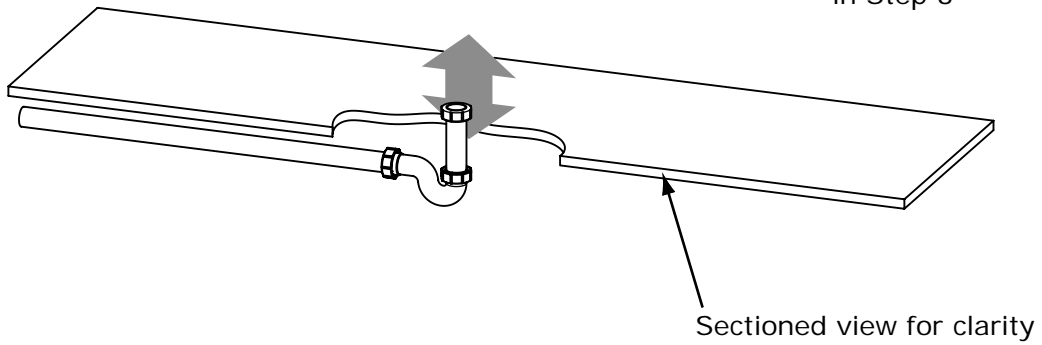


Generic Fitting Instructions for Eclipse and Zebro freestanding baths

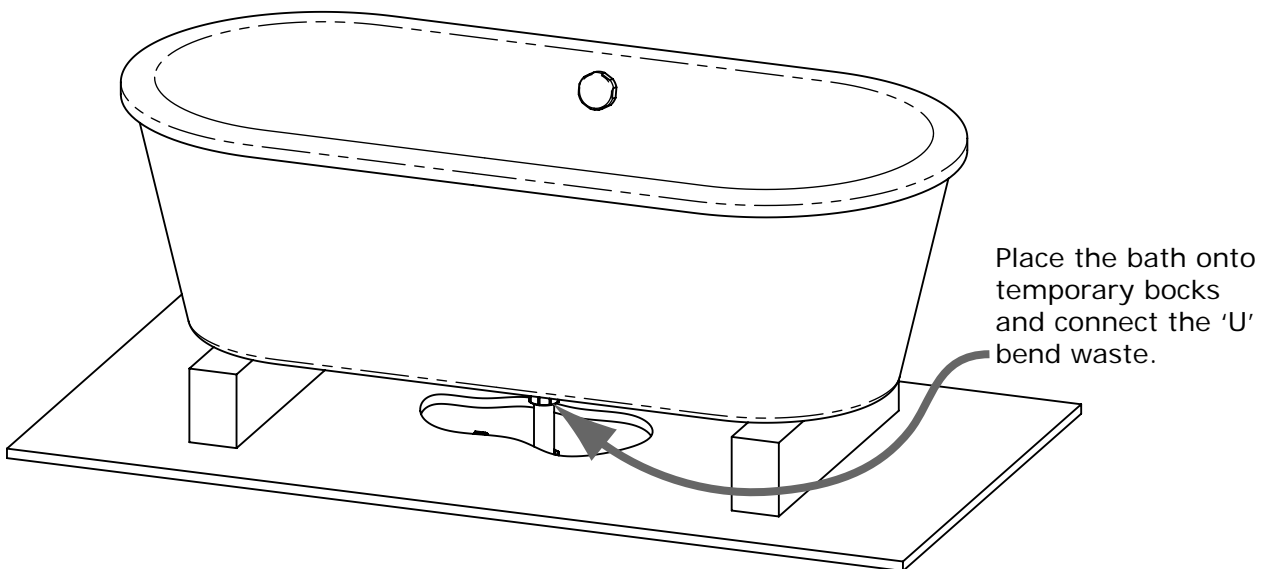


Step 1

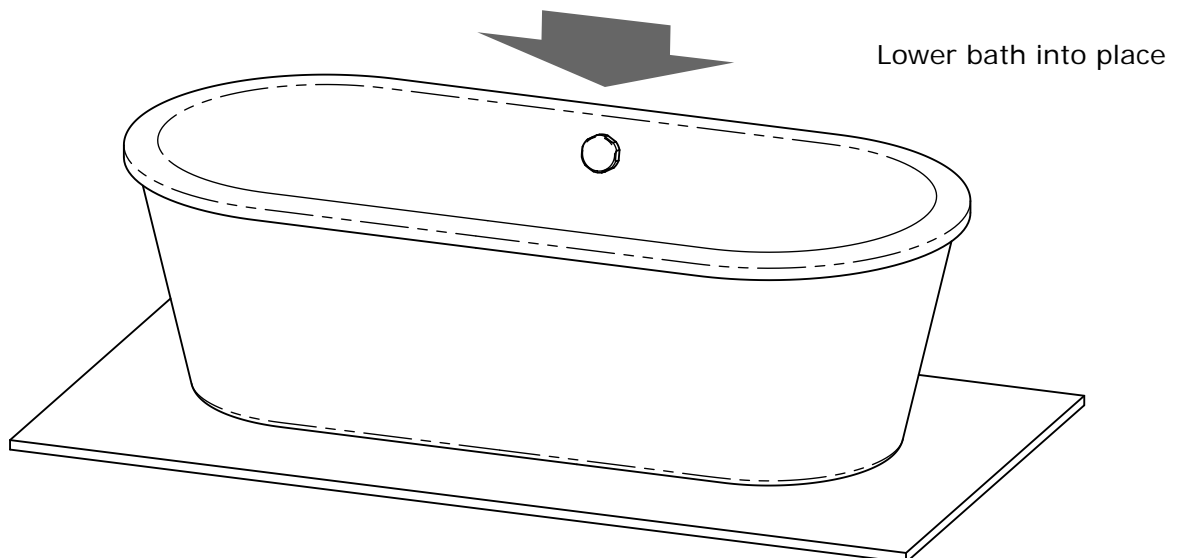
Install 'U' bend waste suitably recessed into floor. Allow enough flex to assist in connecting the waste to the bath in Step 3



Step 3

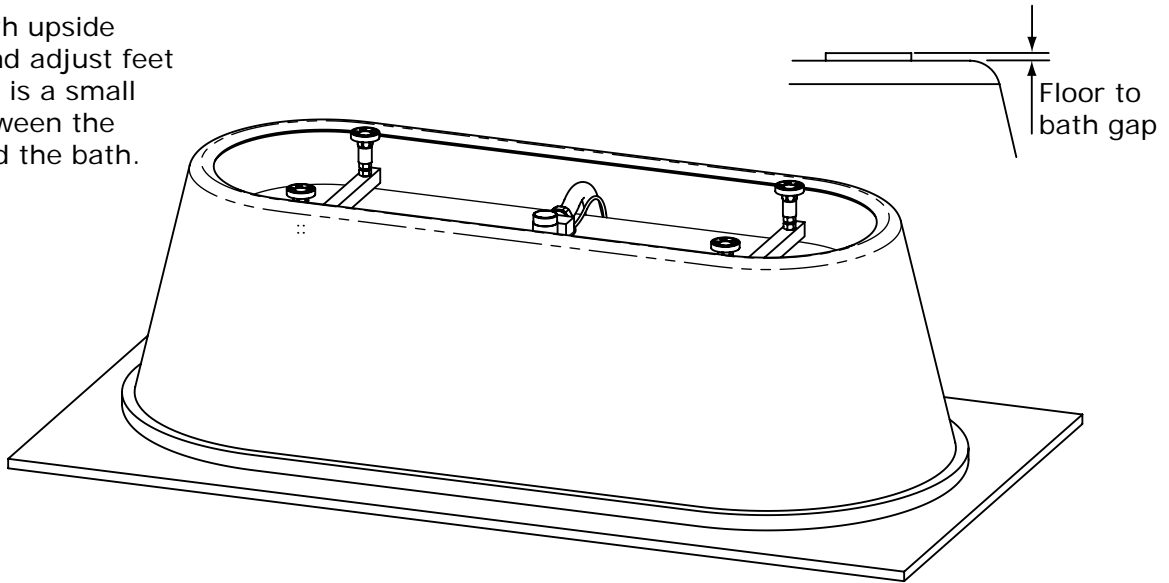


Step 5



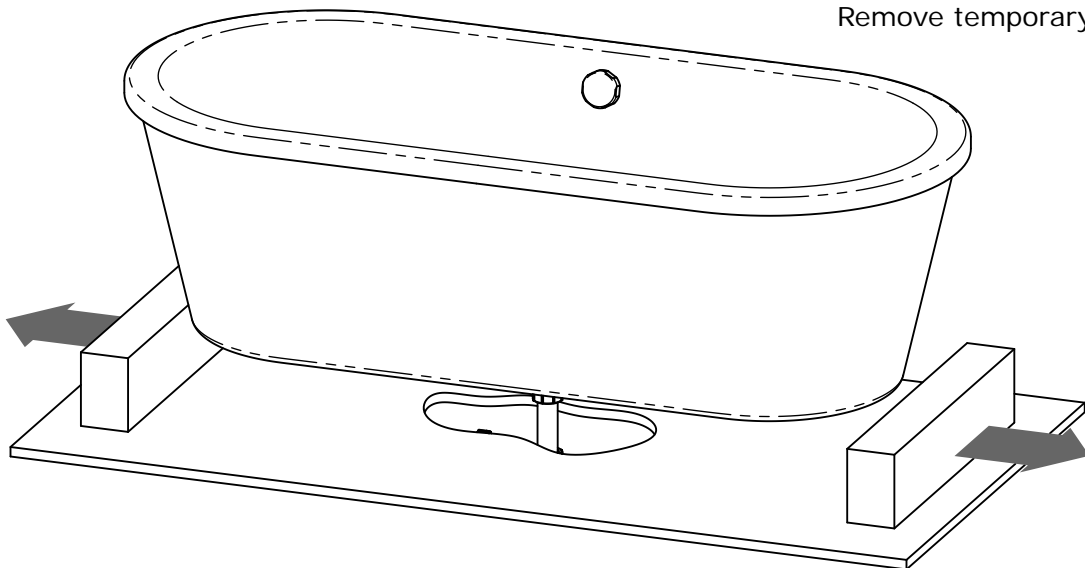
Step 2

Turn bath upside down and adjust feet so there is a small gap between the floor and the bath.

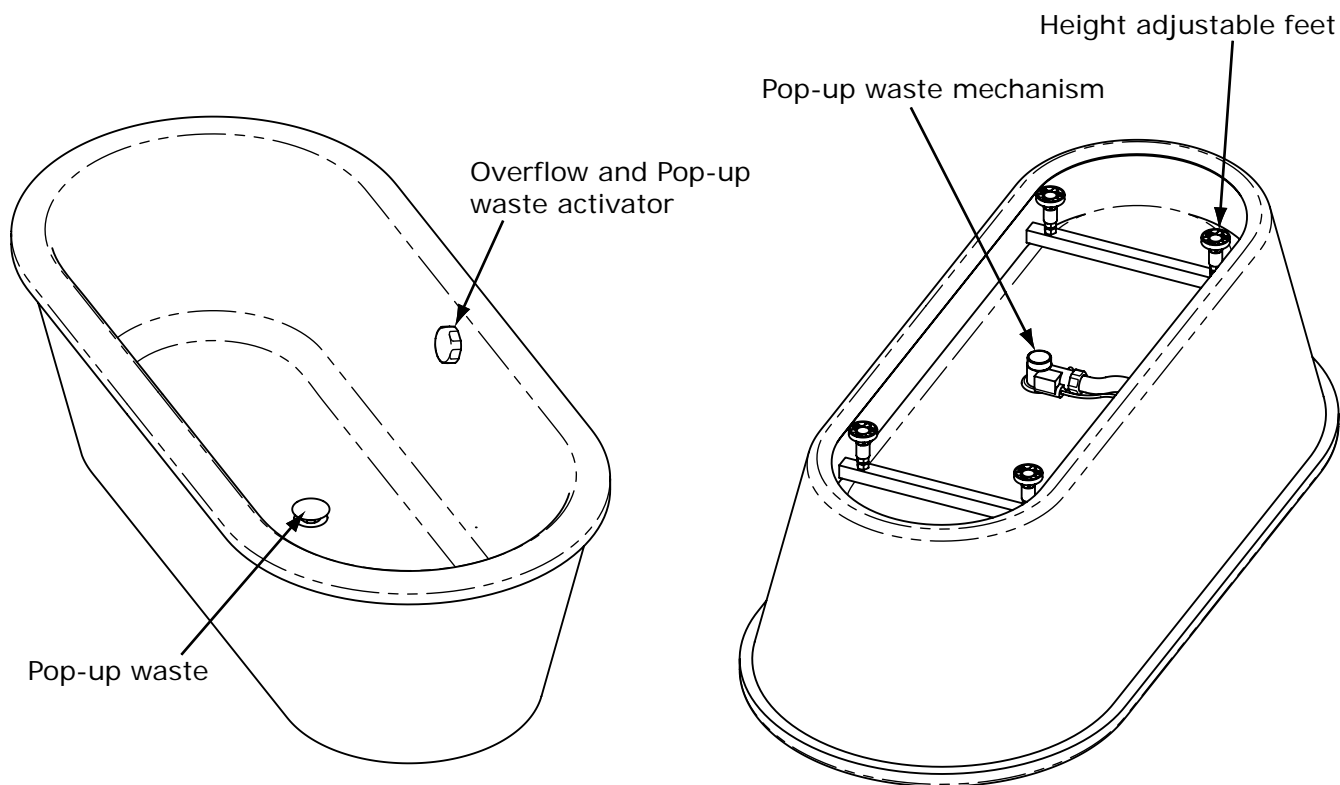


Step 4

Remove temporary blocks.



Generic product diagram (shape and form will vary)



766 Upper Newtownards Road
Dundonald BT16 1TQ
United Kingdom
T 028 9048 0465
F 028 9048 0485
E info@adamsez.com
www.adamsez.com