

Fitting Instructions for Extended Quadrant / Penta **Right Hand Hinged Pivot Door**



Step 1

ATTENTION - BEFORE YOU START

Ensure tray is perfectly level across all planes before installing enclosure.

Make sure the tray is not rebated into the walls more than 5mm as this will effect adjustably.

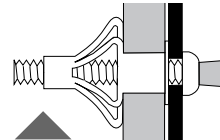
Use heavy duty cavity fixings where there are plasterboard stud walls.

Always use supplied black glazing rubber when indicated.

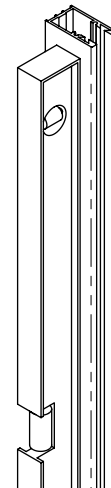
Step 2

Fit both aluminium wall profiles 35mm from edge of tray ensuring they are plumb.

While fitting keep a downward pressure to ensure an underseal.



When fixing profiles to plasterboard use a heavy duty cavity fixing system (not supplied).



Step 3

Slide two plastic seals into each wall profile.



Step 4

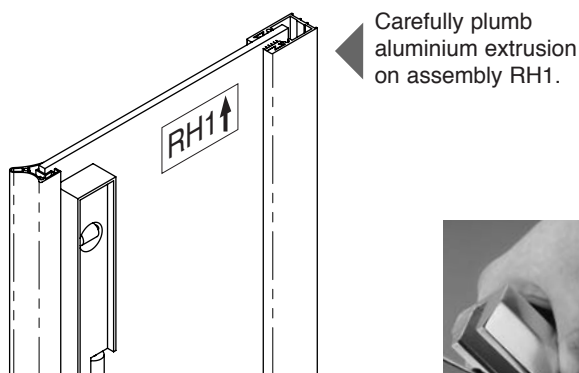
Ensure rubber gasket is fitted below aluminium extrusion on assembly RH1.

Lubricate edge of glass then slide side panel assembly RH1 into left hand wall profile until studs locate in predrilled holes in tray.

Repeat above procedure using assembly RH2 on right hand side.



Step 5

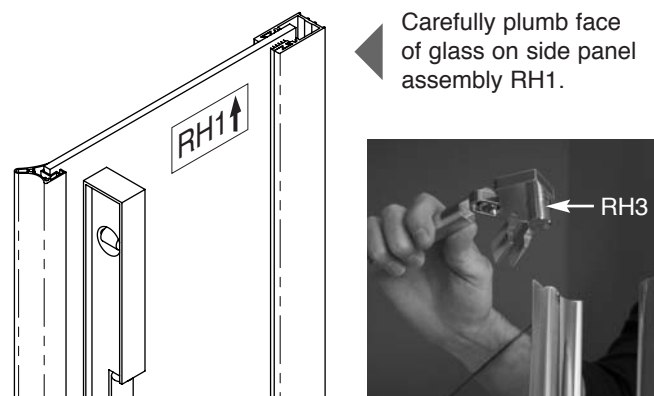


Carefully plumb aluminium extrusion on assembly RH1.

Place black glazing rubber on top of glass. Attach securing bracket to wall profile as shown. Trim excess rubber. Repeat on other side.

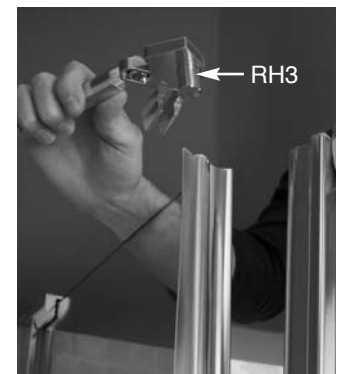


Step 6



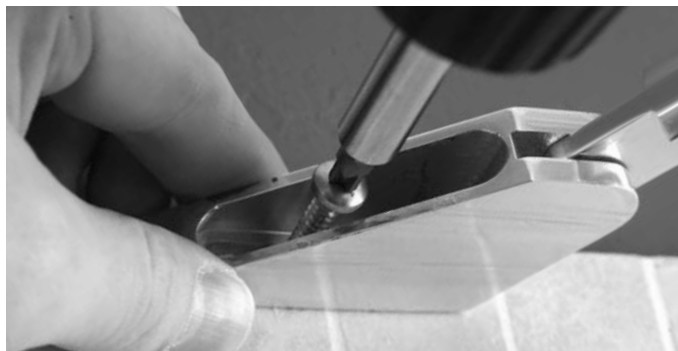
Carefully plumb face of glass on side panel assembly RH1.

Fix Tie Bar assembly RH3 to top of side panel assembly RH1.



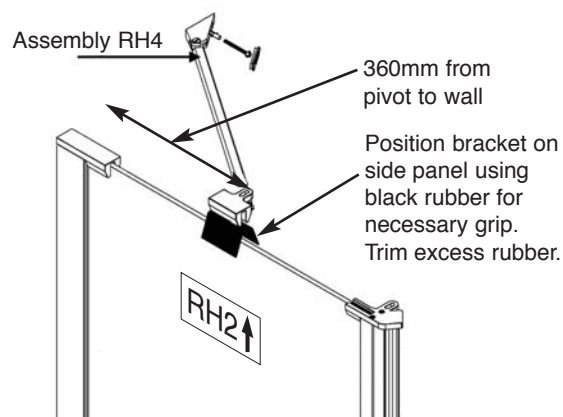
Step 7

Mark and drill wall and fit the Tie Bar fixing bracket.



Step 8

Plumb side panel RH2 as above and fit tie bracket RH4 to side panel assembly RH2 as shown in diagram.



Step 9

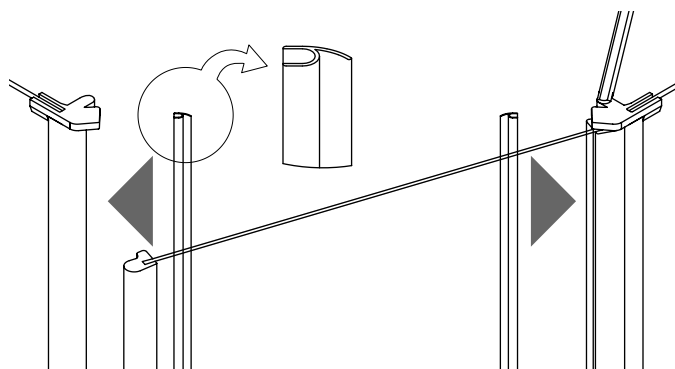
Undo Tie Bar screws to assembly RH1



Place door assembly RHD onto plastic hinge and secure top of door by refitting Tie Bracket assembly RH3 using glazing rubber as shown.



Step 10



Fit the 2 door frame seals to the left and right door frame uprights.

Step 11

Adjust side panel assembly RH2 to fit evenly with the door assembly.

Secure Tie Bracket screws.

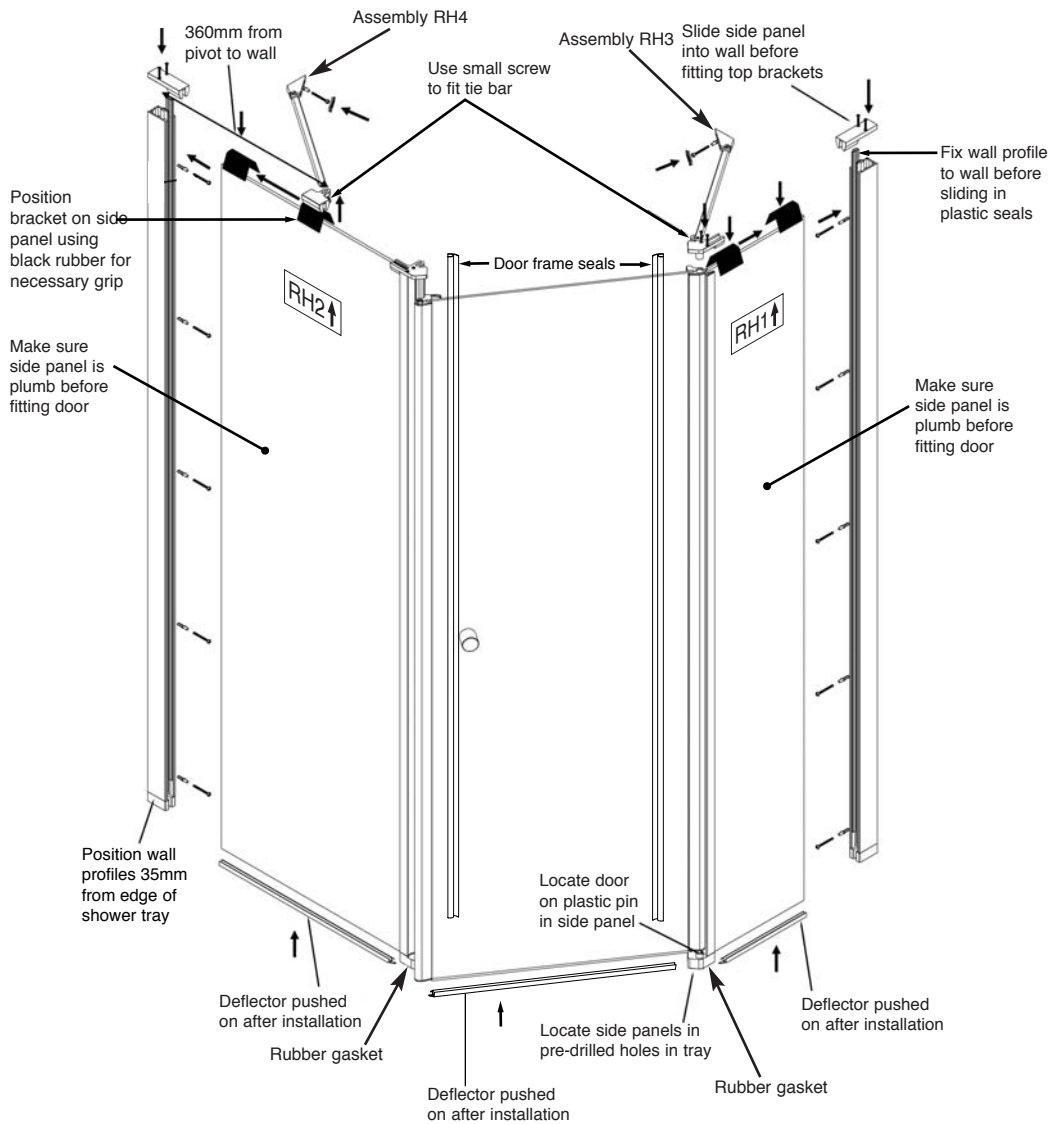


Step 12

Cut side panel plastic deflectors to required length and fit from the inside as shown.



Shower Enclosure Installation Diagram



766 Upper Newtownards Road
 Dundonald BT16 1TQ
 United Kingdom
 Telephone: 028 9048 0465
 Facsimile: 028 9048 0485
 e-mail: info@adamsez.com
 www.adamsez.com



**Wear eye protection,
 ear protection and face
 mask when drilling**