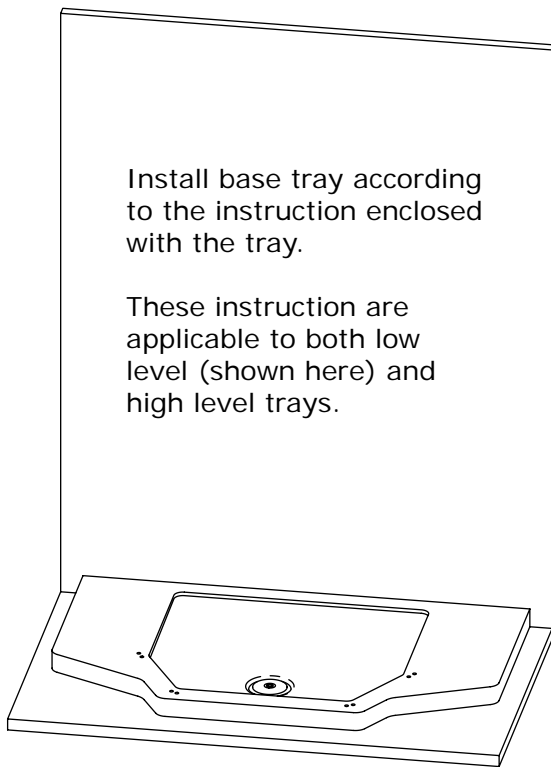


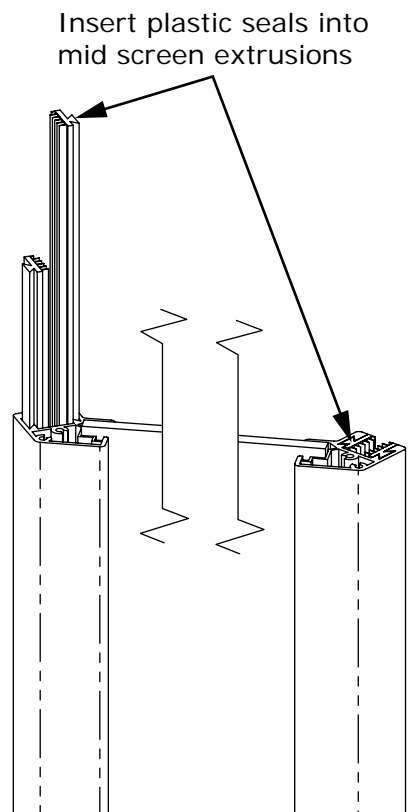
Fitting Instructions for Walk-through enclosure with tray



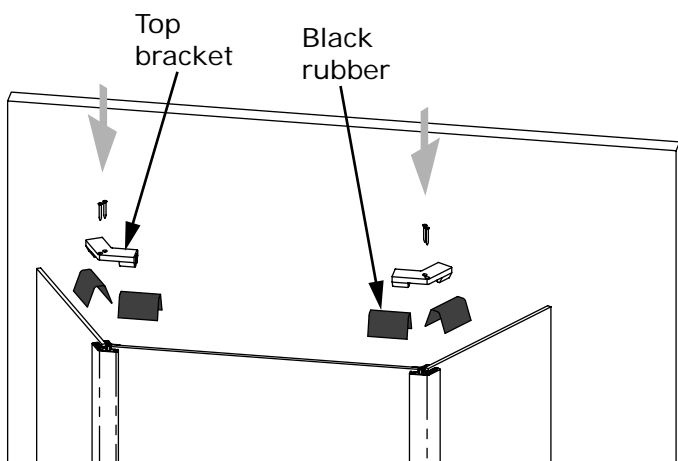
Step 1



Step 2



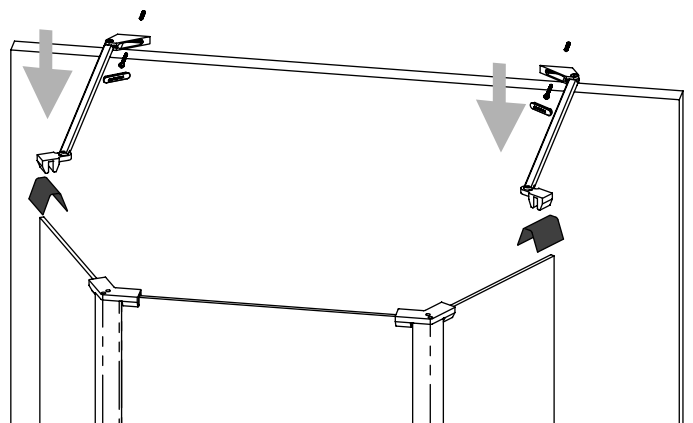
Step 6



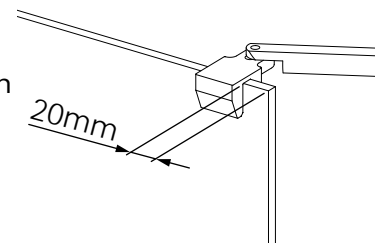
Assemble the two top brackets onto the top of the mid panel extrusions using the black rubber then trim excess rubber.

Step 7

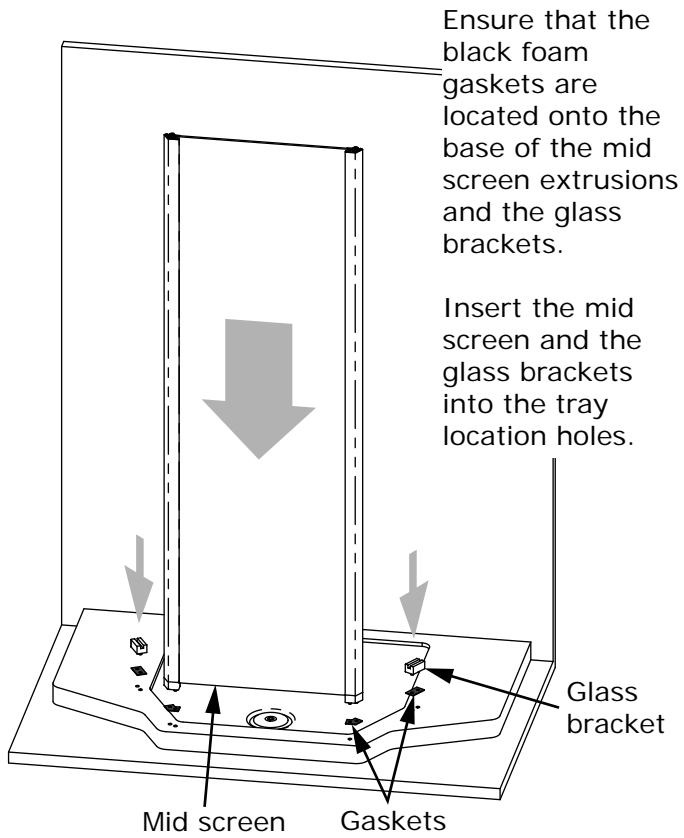
Assemble the two tie-bars onto the top of the side panels using the black rubber then trim excess rubber.



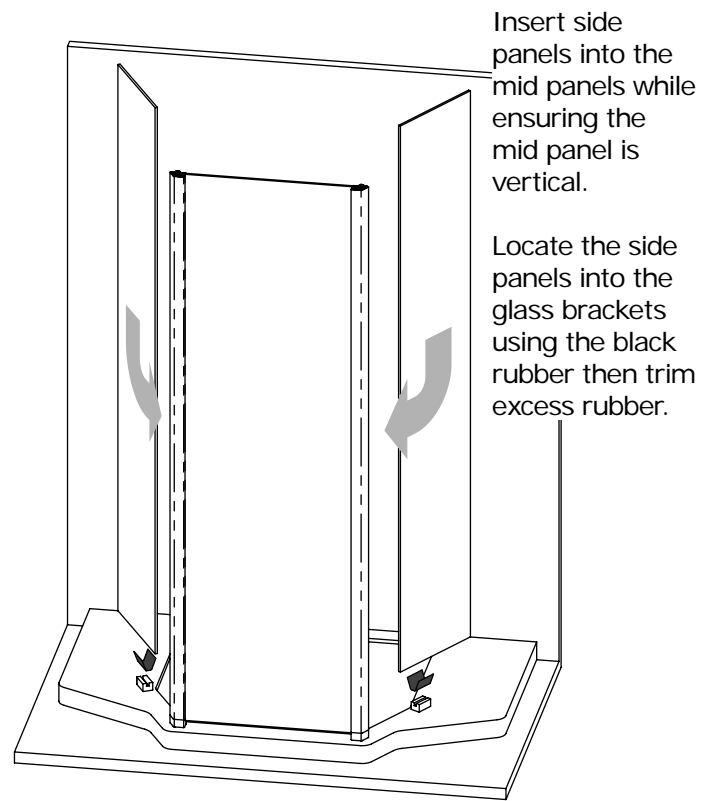
Recommended distance between the tie-bar bracket and the glass edge



Step 3



Step 4

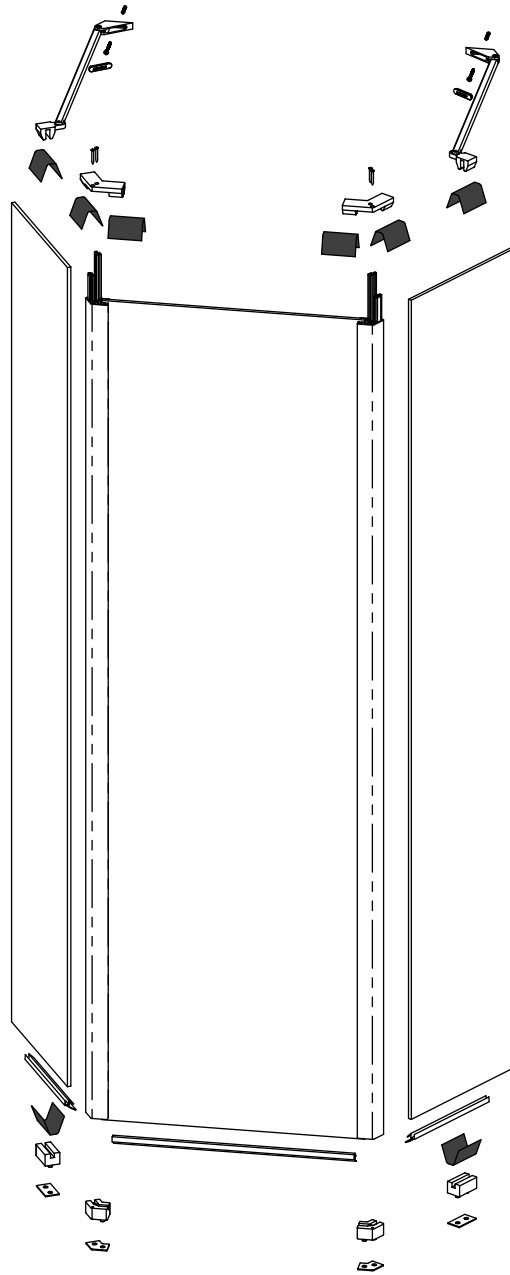


Step 8

Cut side panel plastic deflectors to required length and fit from the inside as shown.



Enclosure Component Diagram



 **ADAMSEZ®**

766 Upper Newtownards Road
Dundonald BT16 1TQ
United Kingdom
T 028 9048 0465
F 028 9048 0485
E info@adamsez.com
www.adamsez.com